



GENUINE PARTS

INSTALLATION INSTRUCTIONS

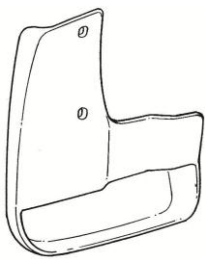
DESCRIPTION: Splash Guard-Front

APPLICATION: Murano

PART NUMBER: 999J2 C3003

KIT CONTENTS:

Item	Qty.	Part Description	Service Part Number
A	1	Splash Guard - Front Right	999J2 C3003
B	1	Splash Guard - Front Left	999J2 C3003
C	2	Grommet	12-81 00441
D	6	Philips Head Screw - 20mm	14-51 00891
E	1	Installation Instruction Replacement Template	N/A



A



B



C



D



E

TOOLS REQUIRED:

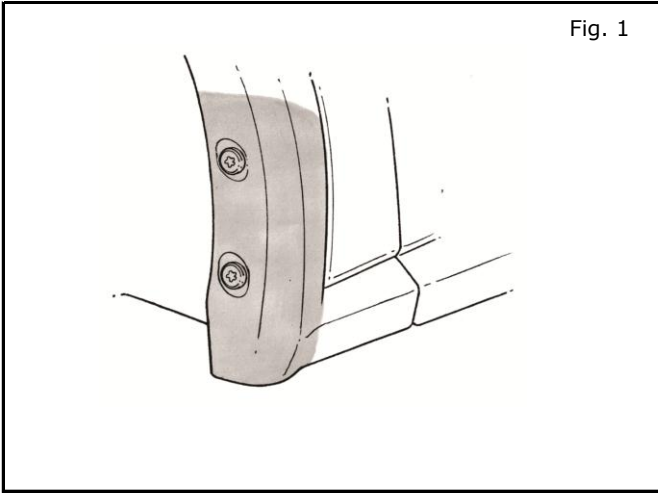
- clean rag
- soap & water
- #2 phillips screw driver
- #15 Torx Screwdriver

PRE-INSTALLATION WARNINGS, CAUTIONS, CRITICAL STEPS, and NOTES:

- These installation instructions are for the left side of the vehicle; the same procedure applies to the right side.
- Dealer Installation Recommended.
- Parts to be installed at room temperature.

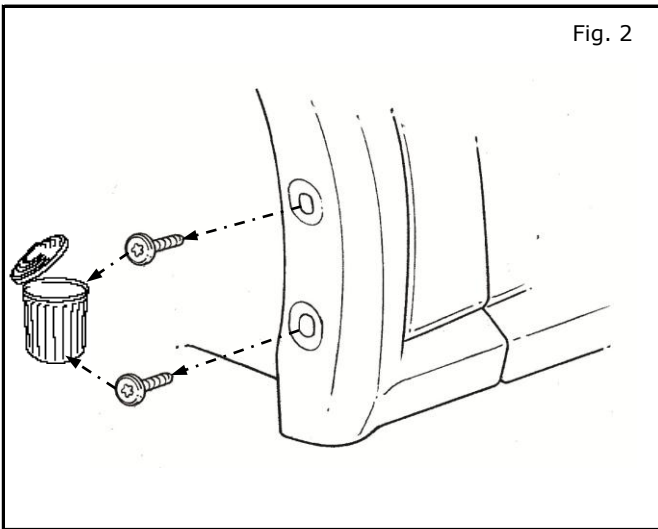
INSTALLATION PROCEDURE:

Fig. 1



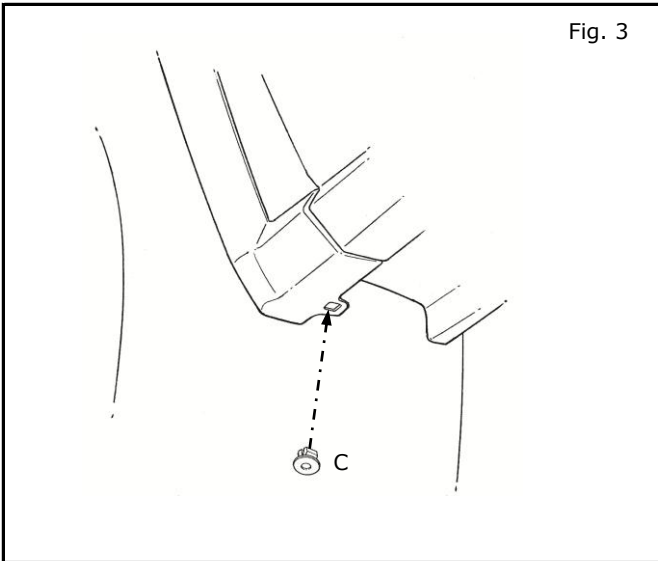
1) Clean shaded area with soap and water mixture and dry.

Fig. 2



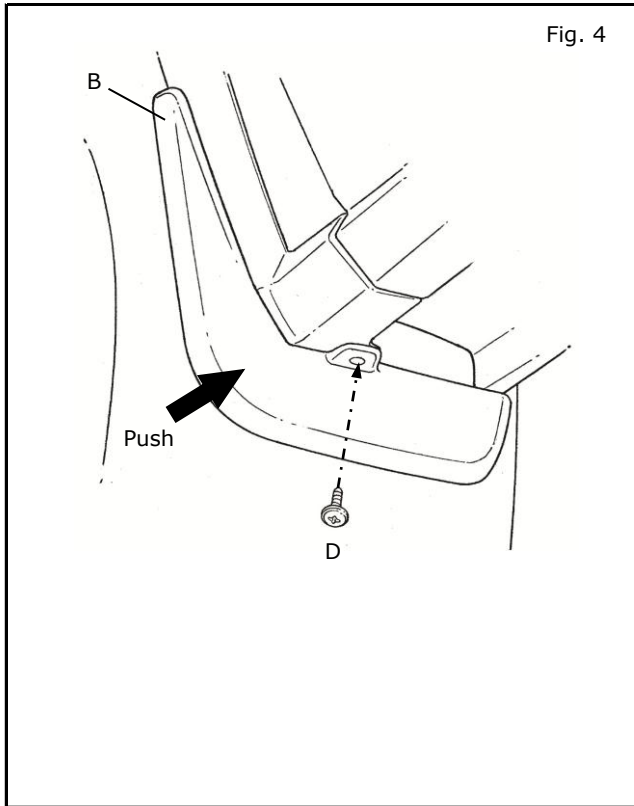
2) Remove existing screws (15mm) and discard.

Fig. 3



3) Install supplied grommet (C).

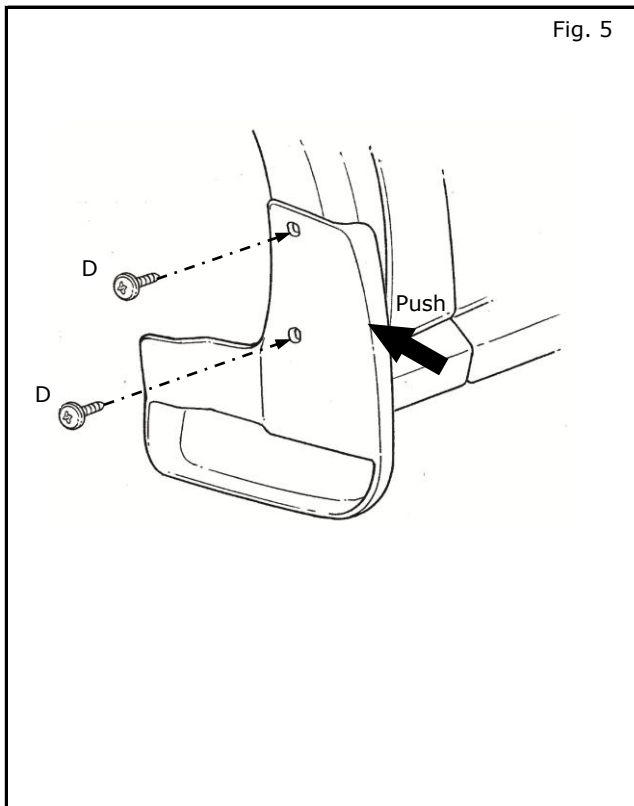
INSTALLATION PROCEDURE: (continue)



- 4) Align front splash guard to vehicle.
- 5) Hold splash guard up and into vehicle and install supplied screw - 20 mm (D) in lower mount tab hole and tighten.

NOTE:

Do not over tighten screw. Reference Tighten Torque: 3.8~4.4N-m {34~39 in-lb}



- 6) Install supplied screws - 20mm (D) in middle then top hole, push up and into vehicle while tightening.

NOTE:

Do not over tighten screw. Reference Tighten Torque: 3.8~4.4N-m {34~39 in-lb}